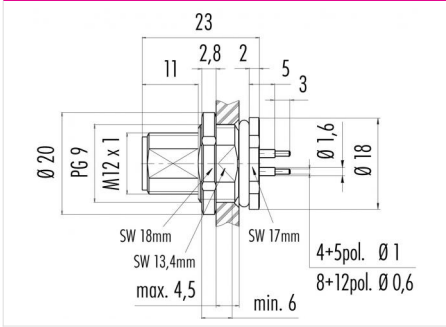


Product description	<b>M12-B male panel mount connector, Contacts: 5, not shielded, dip-solder, IP68, UL, PG9, front mounting</b>
Area	<b>M12-B series 766</b>
Order number	<b>86 0533 1000 00005</b>

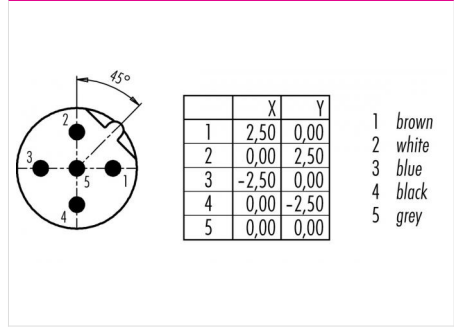
**Illustration**



**Scale drawing**



**Contact arrangement (Plug-in side)**



You can find the assembly instructions on the next page.

**Technical data**

**General values**

Notice	Please note that, due to the change from the old to the new order number, there may be deviations in the technical specifications. For questions about product details, please use the 'Contact Customer Service' form on the right.
Connector design	male panel mount connector
Connector locking system	screw
Termination	dip-solder
Upper limit temperature	85 °C
Lower limit temperature	- 40 °C
Customs tariff number	85369010
Packaging Unit	20

**Cable data**

Approval 1	UL
------------	----

**Electrical values**

Rated current (40 °C)	4 A
Rated voltage	60 V
Rated impulse voltage	1500 V
Pollution degree	3
Overvoltage category	II
Insulating material group	II
Insulation resistance	> 10 <sup>8</sup> Ω
EMC compliance	not shielded
Degree of protection	IP68
Mechanical operation	> 100 Mating cycles

**Material**

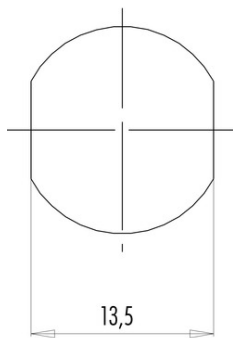
Contact material	CuZn (brass)
Contact plating	Au (gold)
Contact body material	PA
Housing material	Zinc die-cast nickel-plated
REACH SVHC	CAS 7439-92-1 (Lead)

Product description **M12-B male panel mount connector, Contacts: 5, not shielded, dip-solder, IP68, UL, PG9, front mounting**

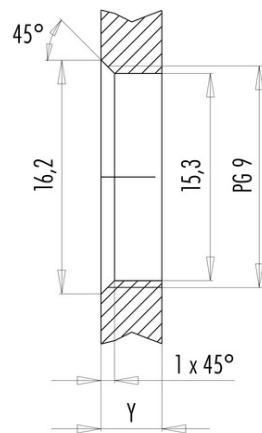
Area **M12-B series 766**  
 Order number **86 0533 1000 00005**

Assembly instructions / Panel cut-out

Mit Fläche als Verdrehschutz



Mit Durchgangsbohrung



Einbaurichtung: O-Ring sitzt an Fase.

Anzugsdrehmoment

Metallgehäuse 6,25 Nm  
 Positioniermutter 6,25 Nm

Gehäusewandstärke Y (mm)		
Ausführung	min (mm)	max (mm)
Hinterwandmontage	2	3,5
von vorne verschraubbar	2	4,5
positionierbar <sup>1)</sup>	2	3,5
Schraubklemmanschluss	2	3,5
Gewinde M12 x 1	2	3,0
Gewinde M14 x 1 <sup>2)</sup>	<sup>3)</sup> 1,5/ <sup>4)</sup> 2	6,5

Hinweise

- 1) Keine Fase anbringen
- 2) Wandstärken:  
 bis 1,5 mm Kontermutter 01-5385 verwenden,  
 >1,5 mm Gewinde schneiden
- 3) Mutter
- 4) Gewinde in Gehäusewand

Product description	<b>M12-B male panel mount connector, Contacts: 5, not shielded, dip-solder, IP68, UL, PG9, front mounting</b>
Area	<b>M12-B series 766</b>
Order number	<b>86 0533 1000 00005</b>

## Security notices

The connectors are designed for use in plant, control system and electrical equipment. The end user is responsible for checking whether the connectors are suitable for use in other applications.

Connectors with degree of protection IP 67 and IP 68 are not suitable for use under water. When used outdoors, the connectors must be separately protected against corrosion. For further information about IP degrees of protection refer to 'Technical support' in the Download Centre.